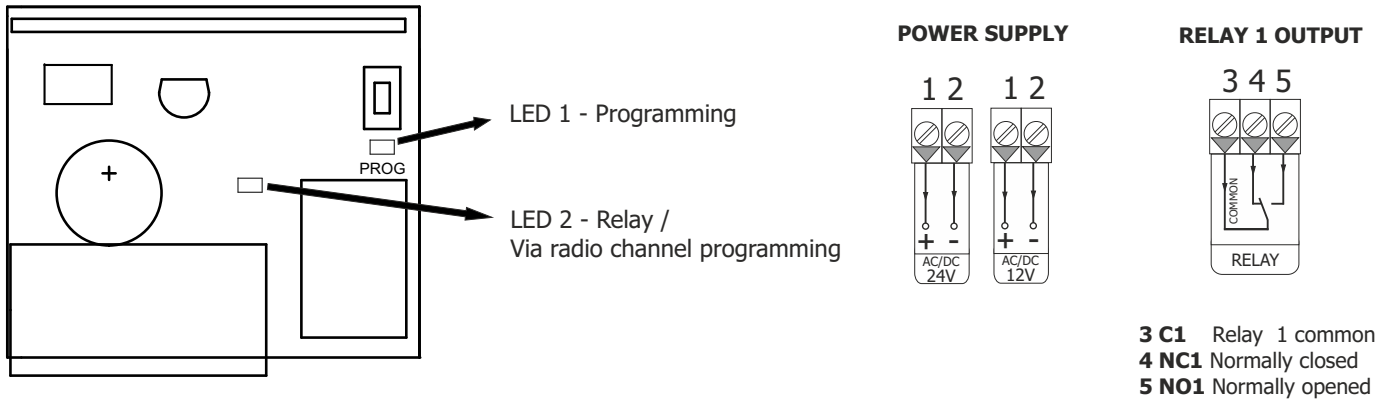


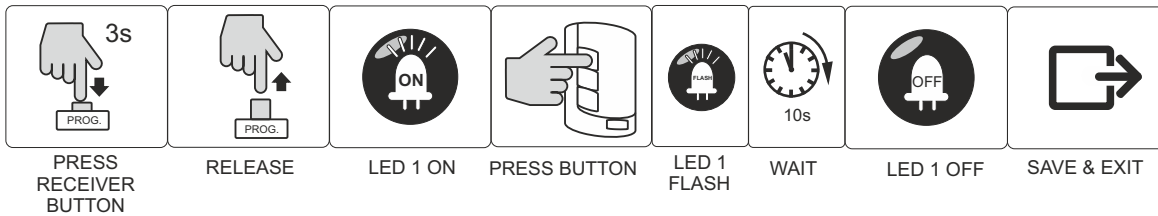
## 1. APPLICATIONS

- 1 channel aerial receiver, suitable for indoor with small size.
- Activation by the function used during the code memorization.

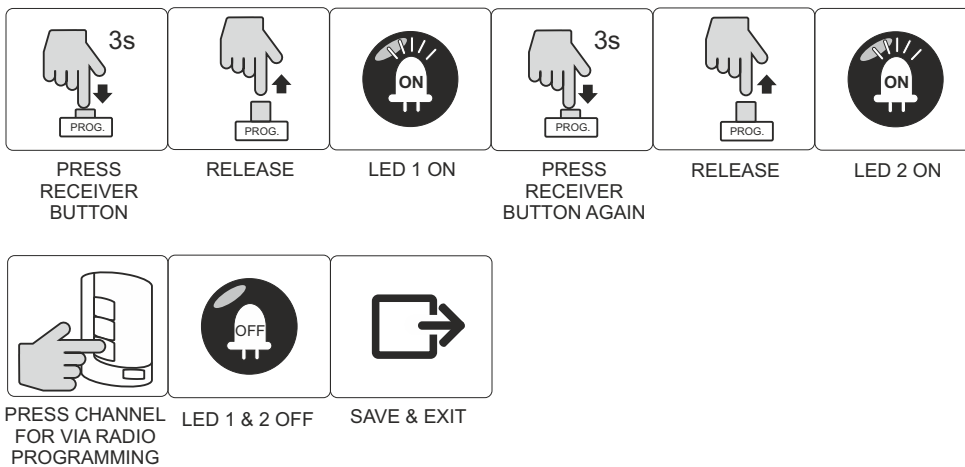
## 2. LED INDICATORS & CONNECTIONS



## 3. TRANSMITTER MANUAL PROGRAMMATION

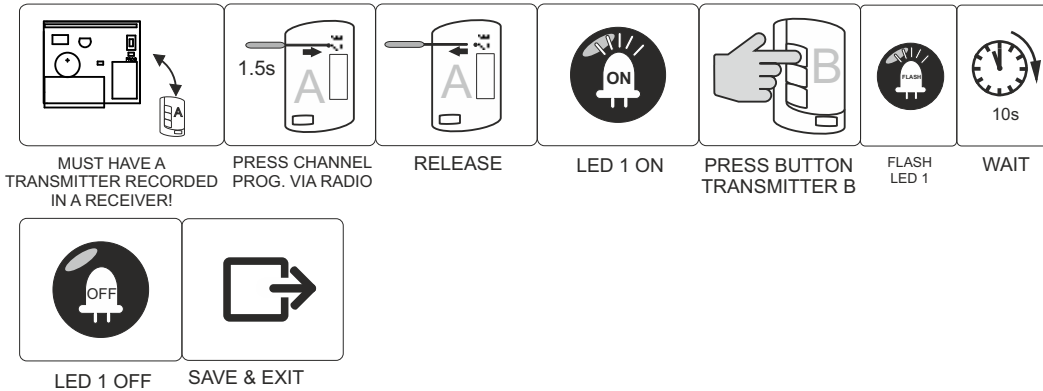


### 3.1 TRANSMITTER CHANNEL PROGRAMMING FOR VIA RADIO PROGRAMMING

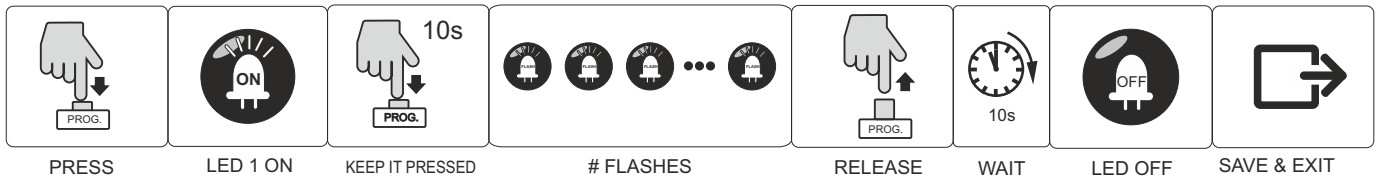


**\*Note: When enter into programming of a programming via radio channel, the relay output will be active.**

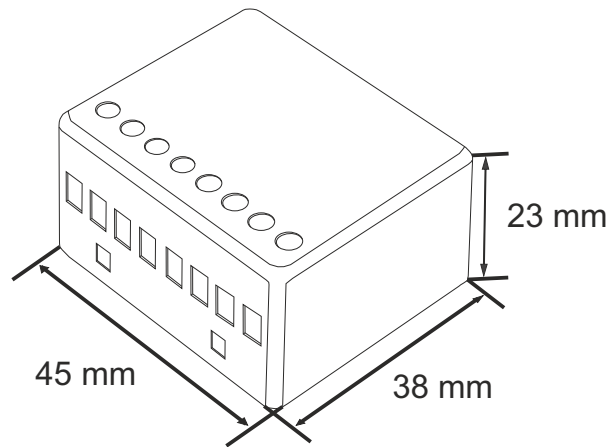
### 3.2 TRANSMITTER VIA RADIO PROGRAMMING



### 3.3 MEMORY RESET



### 4. MEDIDAS DE LA CAJA



#### TECHNICAL SPECIFICATIONS

Power	12-24v AC/DC
Power consumption	16mA
Output	2 Relay 1A/30v
Available codes	2.097.152.281 Millions
Encryption technology	Hopping code
Key Encryption	64 bits
Detection of errors during transmission	2 CRC bits
Number of codes	255
Frecuency	433.92 or 868.35MHz
Certificates	ETS300-220/ETS300-683
Spurious emissions	< -57dBm
Sensitivity	< -104dBm
Range	60m
Temperature	0 to 70°
Antenna	17cm / 8,5cm

## WARNING!!

- Equipment installation and start-up, can only be executed by qualified personal.

CE DECLARATION OF CONFORMITY  
For more information visit the website [www.aerf.eu](http://www.aerf.eu)

